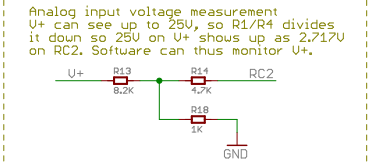
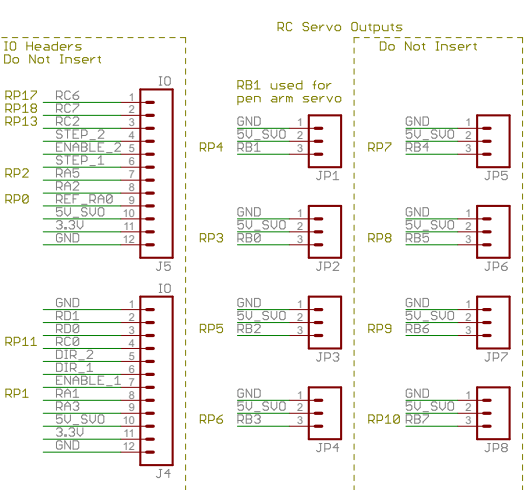
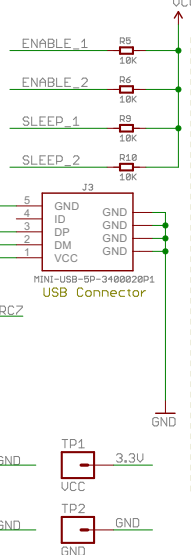
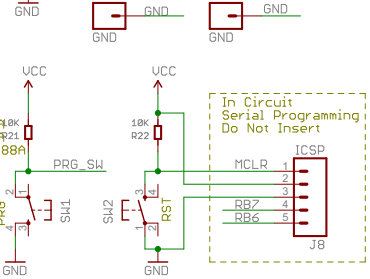
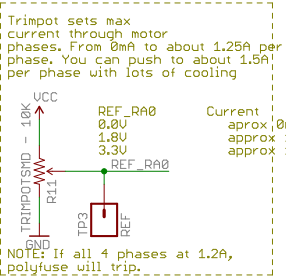
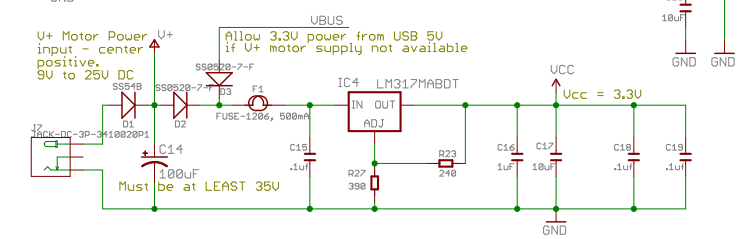
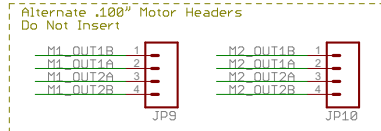
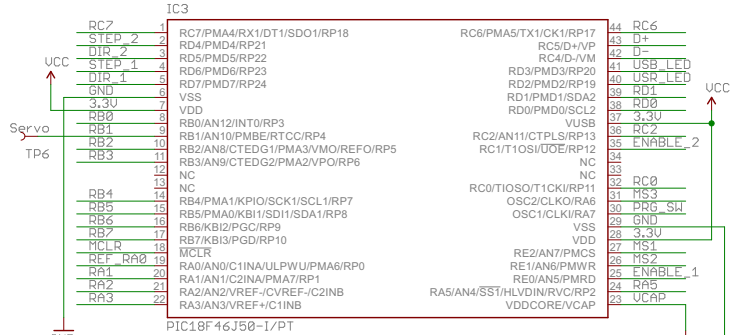
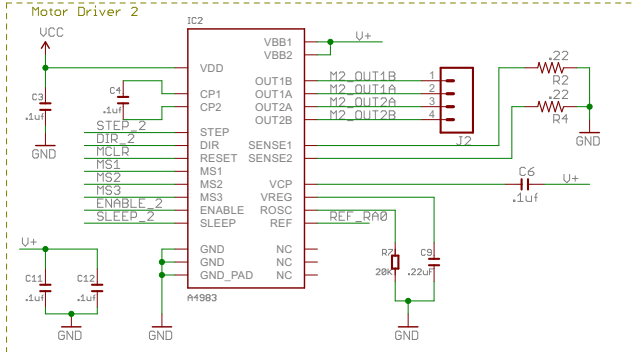
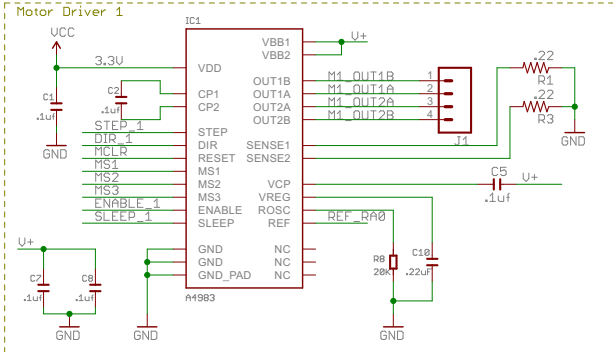


# EiBotBoard (EBB)

licenced under Creative Commons v3.0 Attribution licence  
Version 2.3, 09/15/2013  
copyright 2011-2013 by Brian Schmalz of Schmalz Haus

www.schmalzhaus.com/EBB

Change list  
v2.3 09/15/2013  
Switched to A4989 drivers  
Added four RC servo connectors  
Switched pot and power conn to SH  
M1 extra U+ now on left side  
v1.9 07/16/2013  
Added U+ now on port D  
Added servo connectors to top edge  
Moved M1 and M2 for human fingers  
Auto power from USB and power led  
Removed fixed resistor in USB circuit  
Added pins on enable for bootloading  
Added pins on enable for bootloading  
Added RC servo input voltage now  
v1.4 03/05/2013  
Removed solenoid circuit  
Moved servo connectors together  
Added step/dir/enable pins to connectors  
Added optional motor headers  
v1.5 04/17/2013  
Added RC servo power input  
Added RC servo regulator for RC servo power  
06/26/2013  
R5 changed to bigger diode  
R5 changed E14 to higher voltage (larger footprint)  
08/27/2013  
Added some silk screen to avoid vias and connectors  
09/23/2013  
R11 test points, some headers now locking  
v2.1 05/26/2013  
Changed footprint for D1 to bigger diode  
Fixed minor silk screen errors from v1.5  
v1.6 03/22/2013  
Moved R16 to avoid screw head  
v1.2 no longer have larger holes (more headers now 10)  
Revised Schmalz's changes from v1.5 to now into this file  
v1.1 11/22/2012  
R17 changed to 68k to provide solid HIGH for USB detect  
v1.2 09/29/2012  
All screw holes now ringed by GND  
Stripped all silk text for EgBot orientation  
Replaced directional arrow for DIR RDJ part with physical locator  
Made most silk #4 high, fixed silk placement extra I/O  
Increased copper area under power and USB jacks for physical stability  
Rounded corners  
Added bit EBB silk text  
v2.2 09/15/2013  
Replaced all possible parts with SeeedStudio DPL replacements  
Re-oriented silk text to be equally wrong for EgBot and HaterColorBot  
Updated R12,R17, R13, R14, R16 to be DPL values  
Removed separate servo power supply from bottom of board.



SCHMALZHAUS	
Title: EiBotBoard-v23	
Version:	
10/16/2013 7:01:59 PM	
Drawn By:	1/1