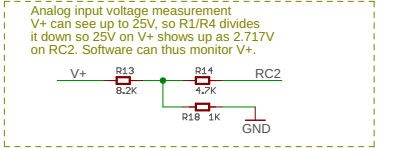
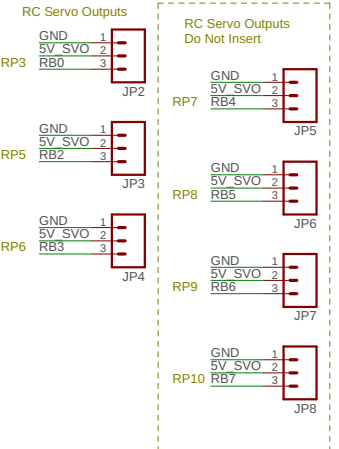
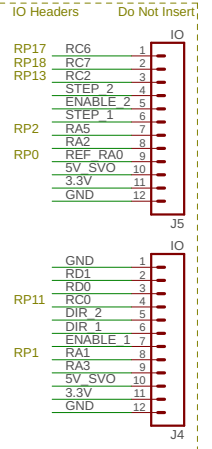
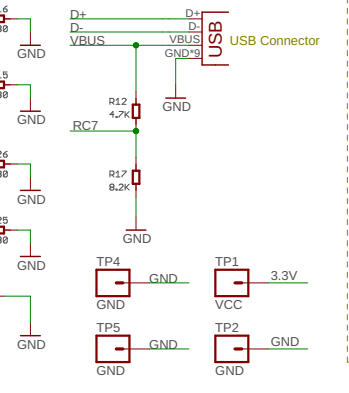
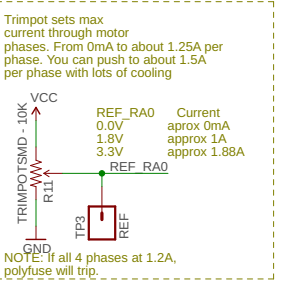
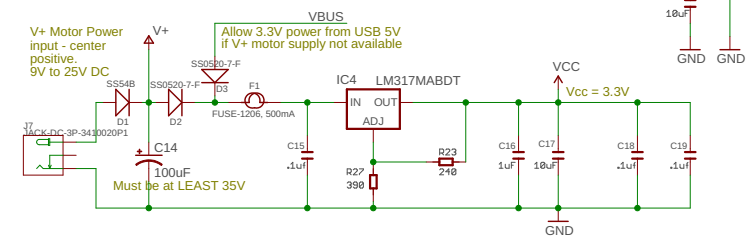
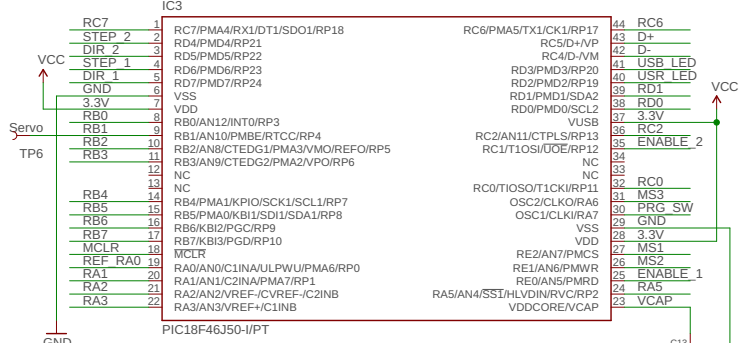
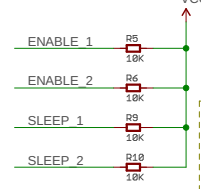
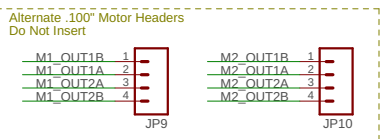
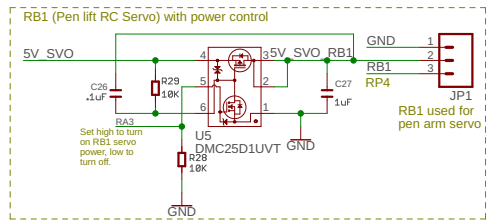
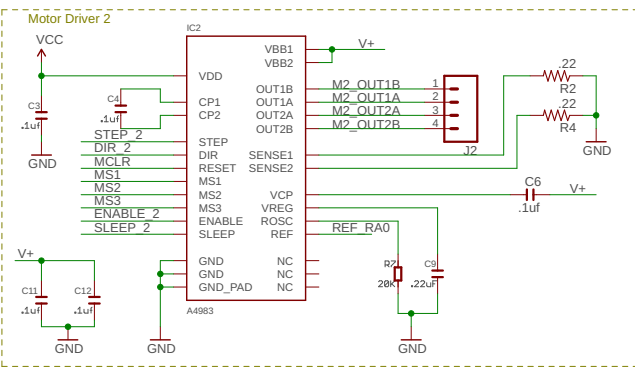
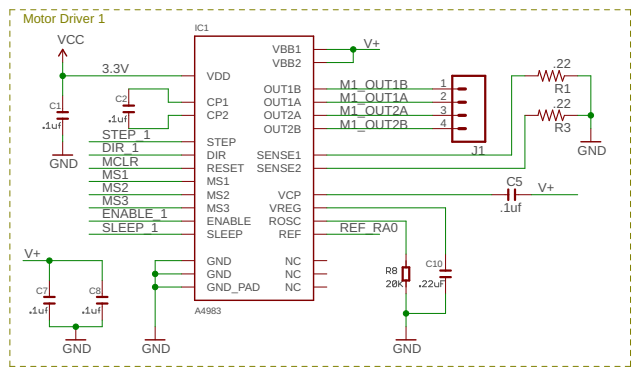


EiBotBoard (EBB)

licensed under Creative Commons v3.0 Attribution licence
Version 2.5, 06/07/2018
copyright 2011-2013 by Brian Schmalz of Schmalz Haus

www.schmalzhaus.com/EBB

- Change List**
- v1.3 02/02/2013
 - Added new RC servo connectors
 - Changed some logic IC between drivers
 - Added pull up and power pins to GATT
 - All 4983 pins now on left side
 - v1.3 01/27/2013
 - Added pull up on enable for bootloading
 - CP1 pin resistor error voltage row
 - v1.4 03/03/2010
 - Removed external circuit
 - Pushed motor connectors together
 - Moved servo connectors to top edge
 - Moved servo connectors to top edge
 - Added 100 Ω optional motor headers
 - Added all RC servo power input
 - Added 5V regulator for RC servo power
 - Added D1 to bigger diode
 - Added 100 Ω pull up on RC servo power
 - Added test point, some headers now locking
 - v2.0 02/20/2010
 - Changed footprint for D1 to bigger diode
 - Fixed master silk screen errors from v1.5
 - v2.1 10/27/2010
 - Moved R16 to avoid screw head
 - J12: new hole larger holes (more headers now fit)
 - Merged SparkFun's changes from v1.5 to now into this file
 - v2.1.1 02/22/2010
 - R17 changed to 60K to provide solid HIGH for USB detect
 - All screw holes now ringed by GND
 - Reduced all silk text for legibility orientation
 - Replaced directional arrow for CLR ADJ pot with physical locator
 - Made master silk: 04 high, fixed silk placement errors IO
 - Increased copper areas under power and USB pads for physical stability
 - Rounder corners
 - Added big EBB silk text
 - v2.3 09/18/2013
 - Reduced all possible parts with SpeedStudio OPL replacements
 - Re-oriented silk text to be equally writing for EggBot and WaterColorBot
 - Updated R13, R11, R12, R14, R18 to be OPL values
 - Removed separate servo power supply from bottom of board
 - v2.5 06/07/2018
 - Switched USB to MicroB connector
 - Added high side switch to RB1 RC Servo 5V power



OSHW LOGO

SCHMALZHAUS

Title: EiBotBoard-v25
Version: 6/7/2018 1:54 PM
Drawn By: 1/1