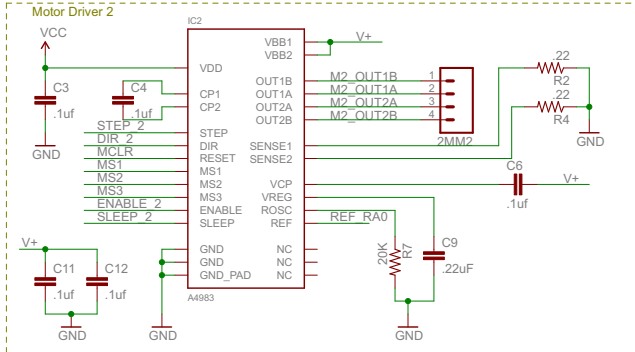
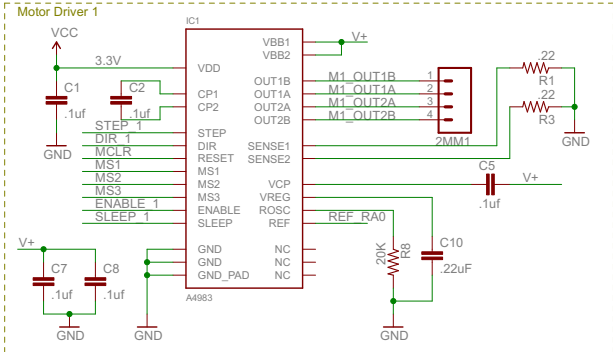


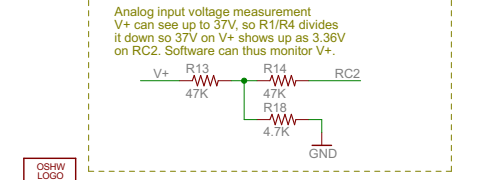
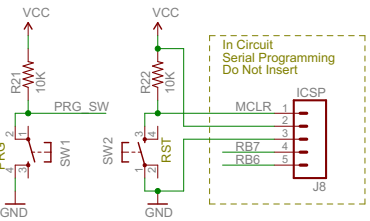
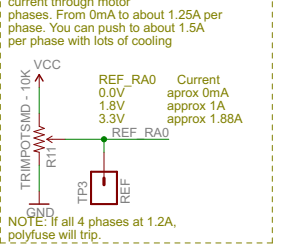
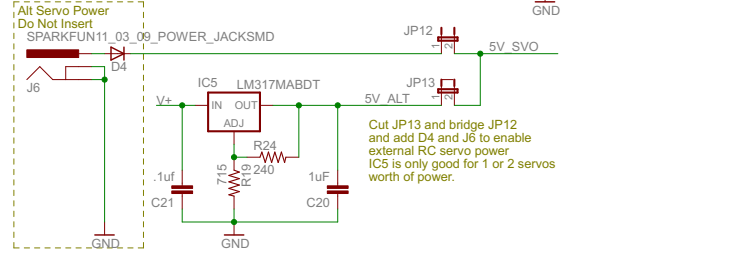
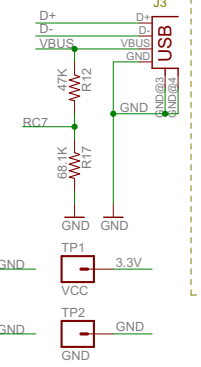
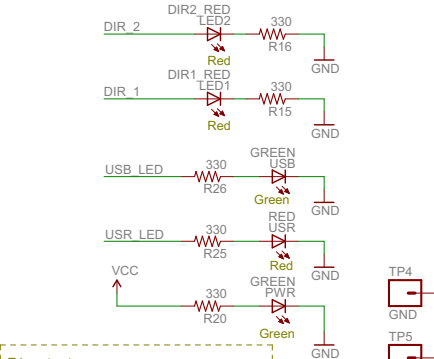
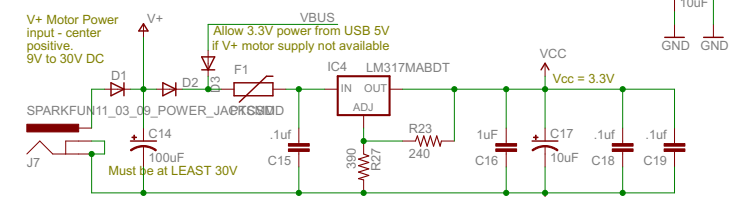
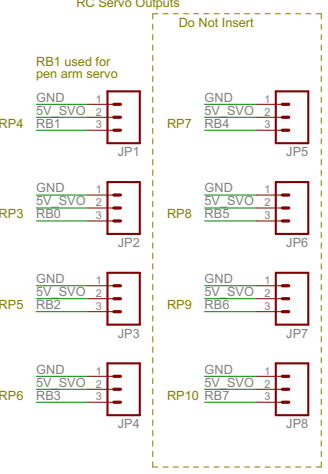
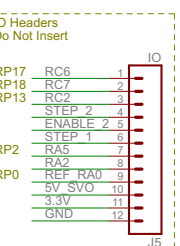
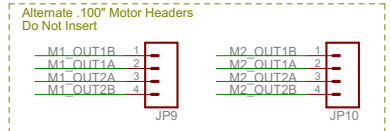
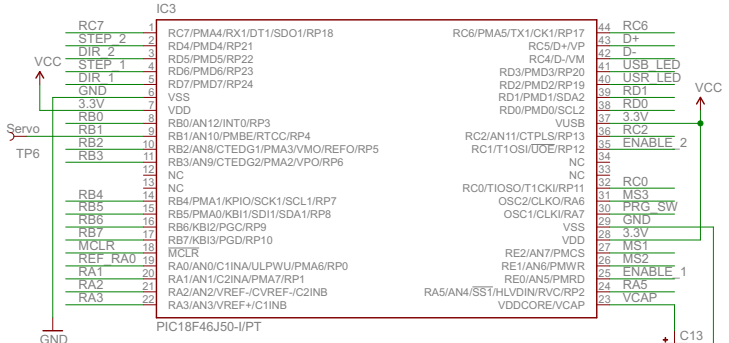
EiBotBoard (EBB)

licensed under Creative Commons v3.0 Attribution licence
 Version 2.2, 08/20/2011
 copyright 2011 by Brian Schmalz of Schmalz Haus

www.schmalzhaus.com/EBB



Change Log
 v1.2 02/01/2010
 Switched to A4988 drivers
 Added four RC servo connectors
 Switches got and power conns to SMT
 All extra I/O now on left side
 v1.3 01/15/2011
 RC servo power from power connector
 Moved PRG and RST for human fingers
 Also power from USB and power jack
 Removed fuse resistor in VREF circuit
 Fixed bug with MCLR
 Added pull up on enable for footswitching
 CPU pin motor's input voltage now
 v1.4 03/03/2011
 Removed selected circuit
 Bundled servo connectors together
 Added 100K optional motor headers
 Added RC servo power input
 v1.5 04/12/2011
 Added 5V regulator for RC servo power
 08/05/2011
 SP: Changed C14 to higher voltage (larger footprint)
 08/05/2011
 SP: Added test point, some headers now locking
 v2.0 5/25/2010
 Changed footprint for D1 to bigger diode
 Fixed minor silk screen errors from v1.5
 v2.1 10/27/2010
 Moved R16 to avoid screw head
 v2.2 01/22/2011
 Merged SparkFun's changes from v1.5 to now into this file
 v1.1 01/22/2010
 R17 changed to 68K to provide solid HIGH for USB detect
 v2.2 02/20/2011
 All screws holes now ringed by GND
 Relaxed all silk for EgitBot orientation
 Replaced directional arrow for CUR ADJ pot with physical locator
 Made most silk 24 High, fixed silk placement extra I/O
 Increased copper areas under power and USB jacks for physical stability
 Rounded corners
 Added tag EBB silk text



Title: EiBotBoard-v22			
Version:			
12/14/2011 7:16:23 PM			
Drawn By:			1/1