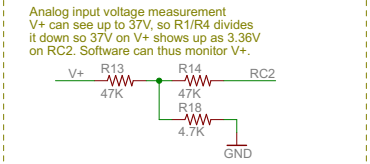
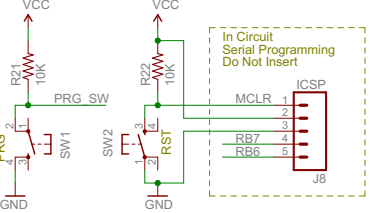
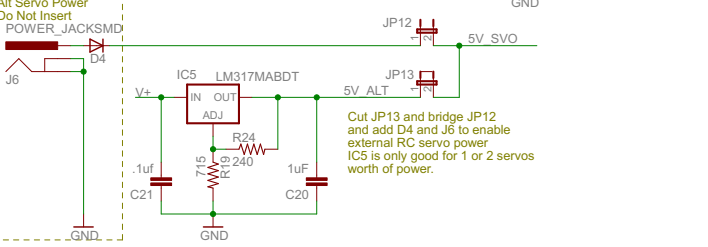
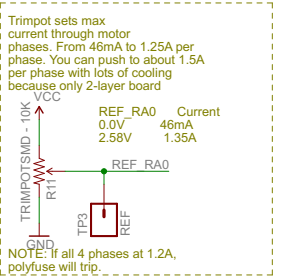
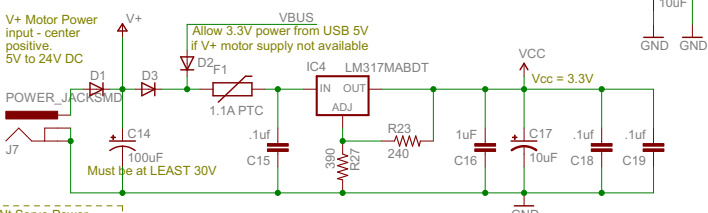
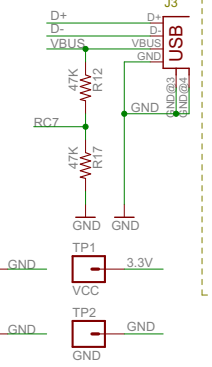
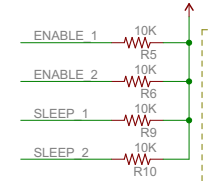
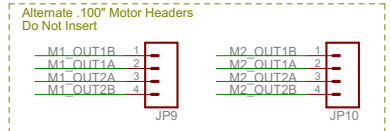
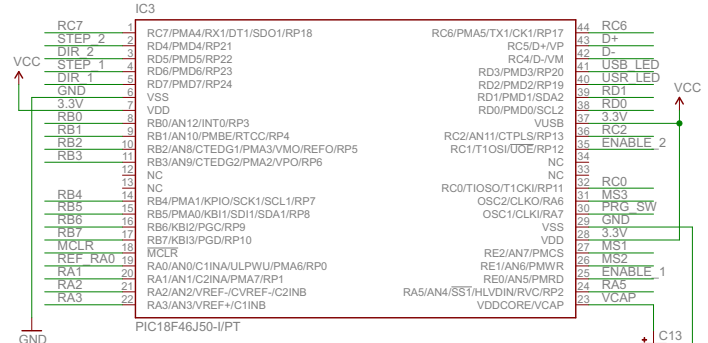
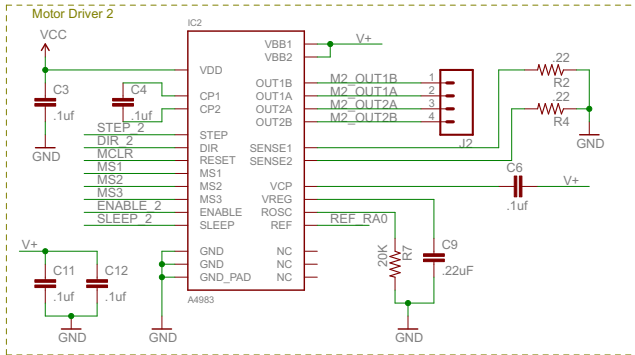
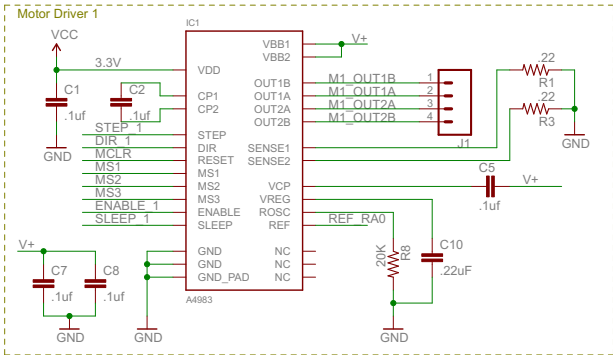


# EiBotBoard (EBB)

licensed under Creative Commons v3.0 Attribution licence  
Version 2.0  
by Brian Schmalz of Schmalz Haus

[www.schmalzhaus.com/EBB](http://www.schmalzhaus.com/EBB)

- Change List  
v1.2 12/01/2009  
Switched to A4983 drivers  
Added four RC servo connectors  
Ganged some logic I/O between drivers  
Switched pot and power conn to SMT  
All extra I/O now on left side  
v1.3 01/16/2010  
All STEP/DIR now on PortD  
C6 moved away from power connector  
Moved PRG and RST for human fingers  
Auto power from USB and power jack  
Removed fixed resistor in VREF circuit  
Fixed bug with R4/R1  
Added pull ups on enable for bootloading  
CPU can monitor input voltage now  
v1.4 03/03/2010  
Removed solenoid circuit  
Pushed motor connectors together  
Moved servo connectors to top edge  
Added step/dir/enable nets to connectors  
Added .100" optional motor headers  
v1.5 04/12/2010  
Added alt RC servo power input  
Added 5V regulator for RC servo power  
v2.0 05/25/2010  
D1 changed footprint and current rating  
Fixed minor silk screen errors from 1.5



SCHMALZHAUS		Title: EBB_v20	
		Version:	
		6/10/2010 10:12:21 PM	
Drawn By:		1/1	